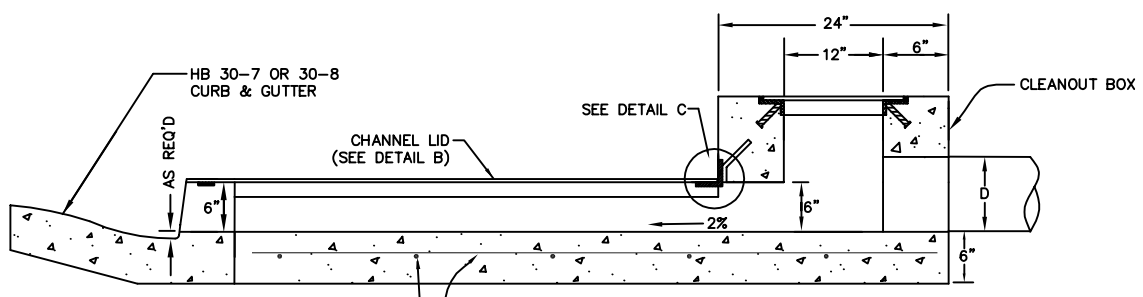
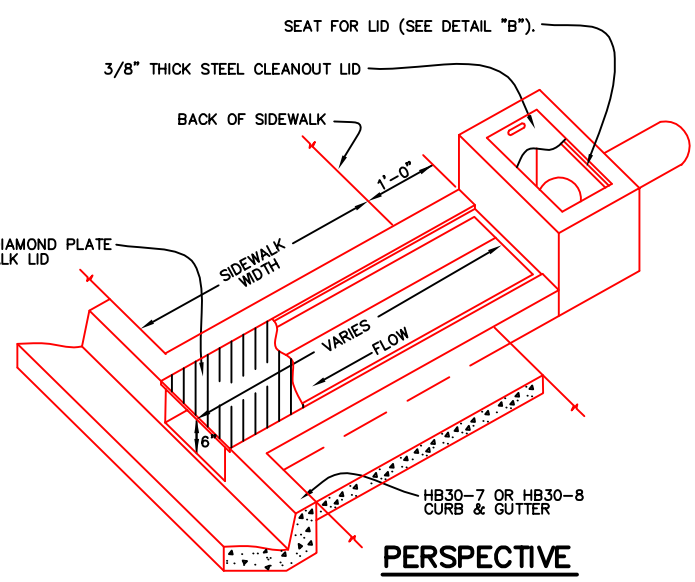


PLAN



SECTION A-A



PERSPECTIVE

MARK	DIMENSION (INCHES)				COMMENTS
	B	C	D	E	
B	10	15	20	30*	INSIDE WIDTH
C	20	22	24	27	CLEANOUT BOX HEIGHT
D	≤8	10	12	15	INLET PIPE
E	22	27	32	42	BOX WIDTH
K	18	23	28	38	STEEL END SUPPORT

DIMENSION TABLE

*REQUIRES ENGINEERED DESIGN FOR LID & BOX.

IVINS CITY
55 N. Main Street
Ivins, Utah 84738
435-634-0689
435-674-5486 (fax)

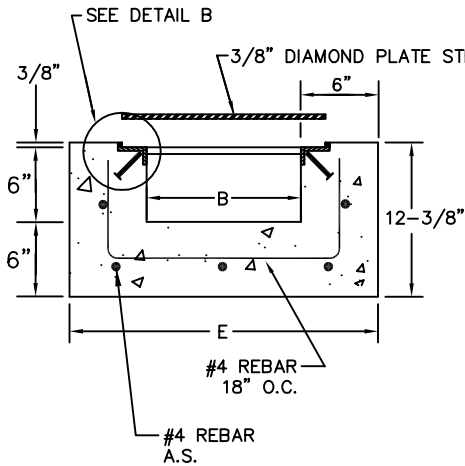


SIDEWALK DRAINAGE STRUCTURE

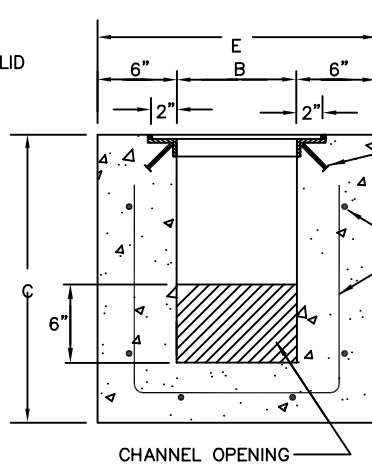
Standard Drawing
SD-01

rev. 07-2010

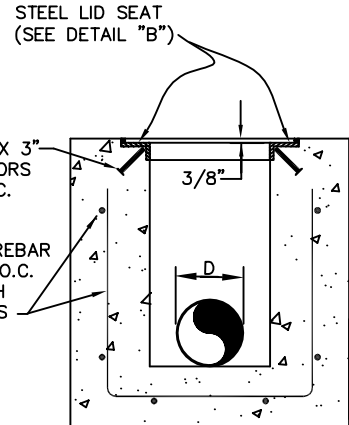
NOTE:
STEEL LID TO BE FLUSH
WITH CONCRETE SIDEWALK.



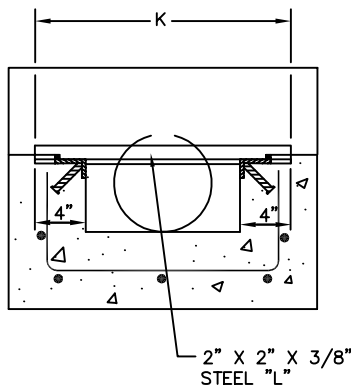
SECTION B-B



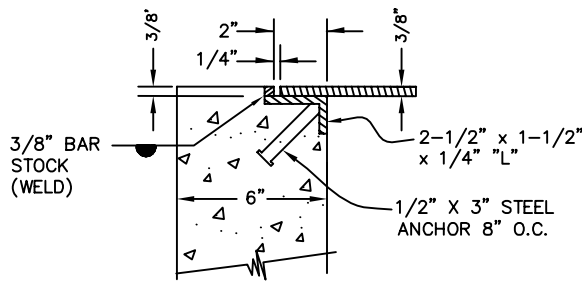
SECTION C-C



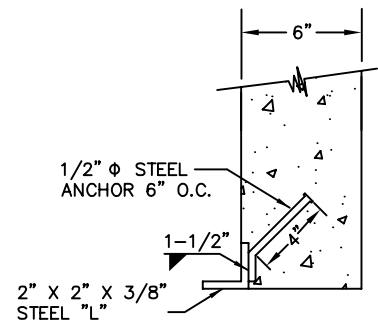
SECTION D-D



SECTION E-E



DETAIL B



DETAIL C

MARK	DIMENSION (INCHES)				COMMENTS
B	10	15	20	30*	INSIDE WIDTH
C	20	22	24	27	CLEANOUT BOX HEIGHT
D	≤ 8	10	12	15	INLET PIPE
E	22	27	32	42	BOX WIDTH
K	18	23	28	38	STEEL END SUPPORT

DIMENSION TABLE

*REQUIRES ENGINEERED DESIGN FOR LID & BOX.

NOTES:

- 1- ALL REBAR SHALL HAVE 2" MIN. CLEAR.
- 2- STEEL LID SHALL BE FLUSH WITH CONCRETE.
- 3- BOX DIMENSIONS BASED UPON INLET PIPE SIZE "D".
- 4- ALL STEEL SHALL BE GRADE 60.
- 5- LID FOR CLEANOUT BOX SHALL HAVE 1-4 INCH X 1" SLOT FOR LIFTING. LID MAY BE SMOOTH OR DIAMOND PLATE STEEL.
- 6- SIDEWALK LID SHALL BE DIAMOND PLATE STEEL.
- 7- STANDARD REBAR SHALL NOT BE USED FOR STEEL ANCHORS.
- 8- ALL EXTERIOR EDGES OF CLEANOUT BOX TO HAVE 3/4" TO 1" CHAMFER (NOT SHOWN IN DETAILS FOR CLARITY).
- 9- STEEL LIDS AND SEAT TO BE PAINTED GREY IN ACCORDANCE WITH CITY STANDARDS.

IVINS CITY
55 N. Main Street
Ivins, Utah 84738
435-634-0689
435-674-5486 (fax)



rev. 07-2010

**SIDEWALK DRAINAGE
STRUCTURE DETAILS**

Standard
Drawing
SD-02