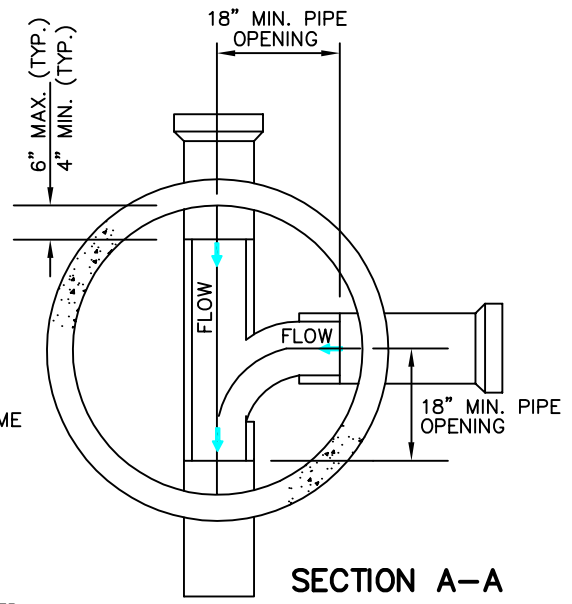
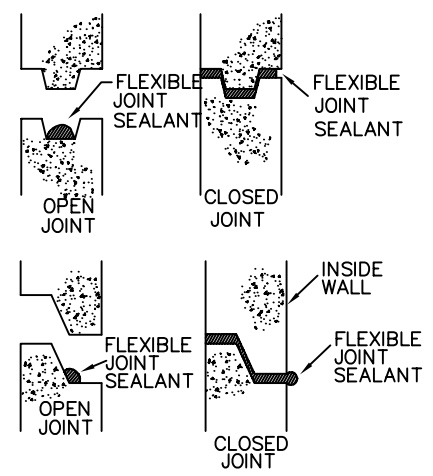


SECTION THRU CENTER

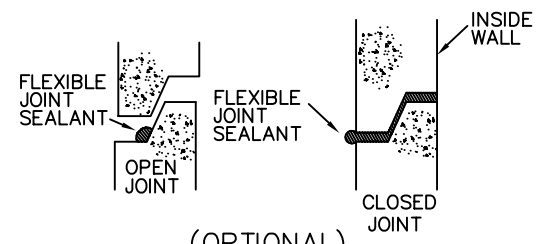
- NOTES:**
1. SEE DRAWING NO. S-02 FOR JUNCTION AND DROP MANHOLE SIZES.
 2. PRECAST BASE MAY BE USED, BUT REQUIRES MINIMUM 6" BASE PLACED BENEATH STRUCTURE.
 3. IF OPTIONAL JOINT IS USED, ALL MANHOLE SECTIONS SHALL BE CLEARLY MARKED ON THE INSIDE AS TO THE MANUFACTURER AND TYPE OF JOINT BEING USED.
 4. ALL MANHOLE SECTIONS SHALL BE CLEARLY MARKED ON THE INSIDE AS TO MANUFACTURER AND DATE OF MANUFACTURE.



SECTION A-A



(STANDARD)



(OPTIONAL)

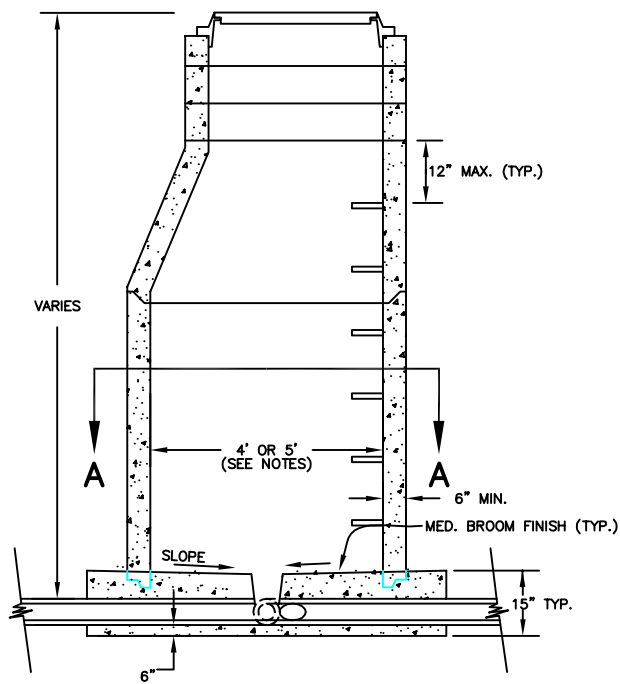
JOINT DETAILS

IVINS CITY
 55 N. Main Street
 Ivins, Utah 84738
 435-634-0689
 435-674-5486 (fax)
 rev. 07-2010

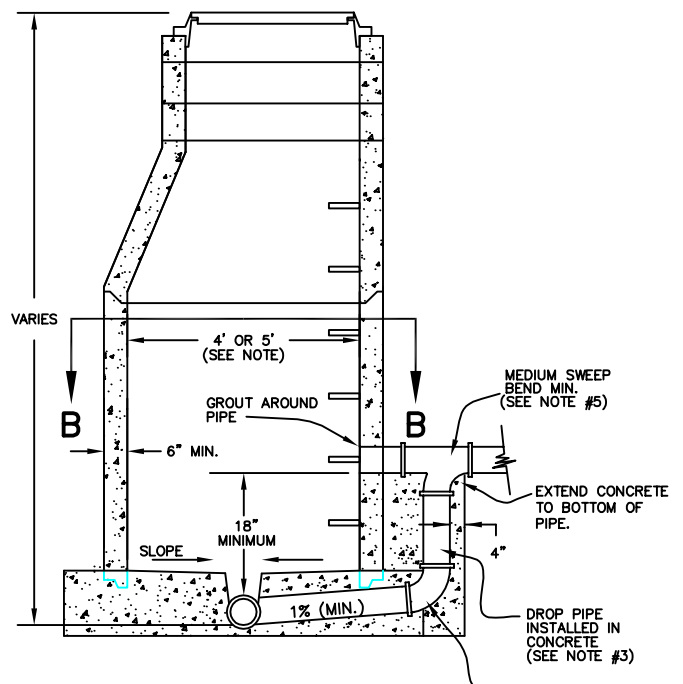


STANDARD MANHOLE

Standard
 Drawing
 S-01



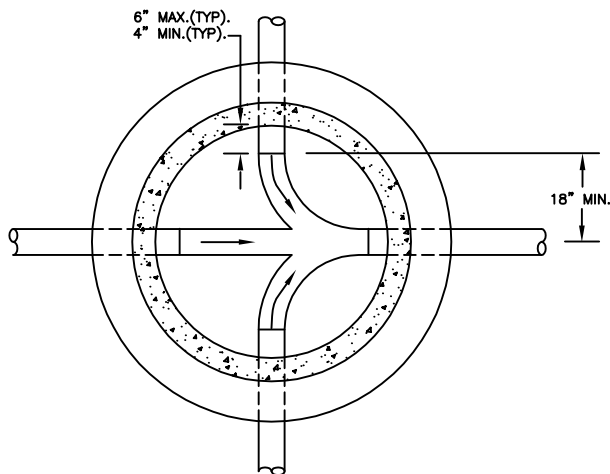
TYPICAL JUNCTION MANHOLE
(SECTION THRU CENTER)



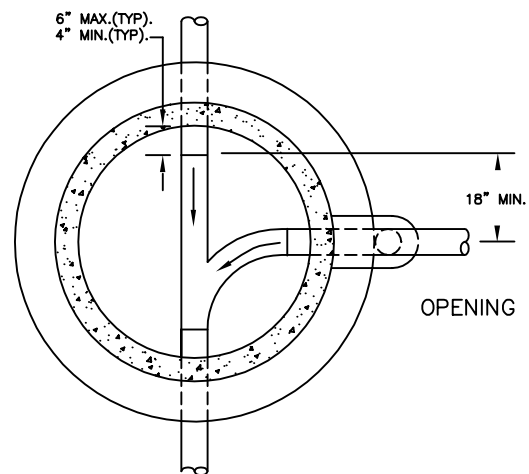
TYPICAL DROP MANHOLE
(SECTION THRU CENTER)

NOTES:

1. MANHOLE SHALL BE MINIMUM 4' DIAMETER.
2. MANHOLE SHALL BE 5' DIAMETER WHEN:
 - a. ANY LINE IS 12' OR DEEPER.
 - b. ANY LINE IS 12" IN DIAMETER OR LARGER.
 - c. JUNCTION OF TWO OR MORE INFLOWING SEWER LINES.
 - d. DROP MANHOLES.
3. VERTICAL DROP PIPE AND FITTINGS SHALL BE THE SAME SIZE AS THE INCOMING SEWER PIPE.
4. NO LATERALS SHALL BE INSTALLED DIRECTLY INTO MANHOLES UNLESS PRIOR APPROVAL BY CITY REPRESENTATIVE.
5. BENDS CAN BE 45° OR 90° - (90° IS SHOWN). ALL OTHER REQUIREMENTS ARE THE SAME.
6. FLOW LINES OF JUNCTION LINES OR BEND LINES GREATER THAN 10° SHALL ENTER MANHOLE AT 0.2' HIGHER THAN OUTFLOWING LINE.



SECTION A-A



SECTION B-B

NO SCALE

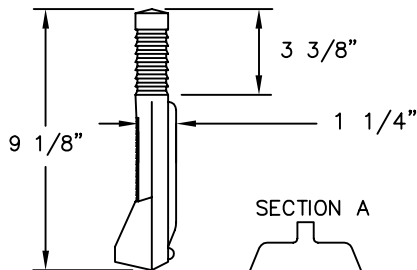
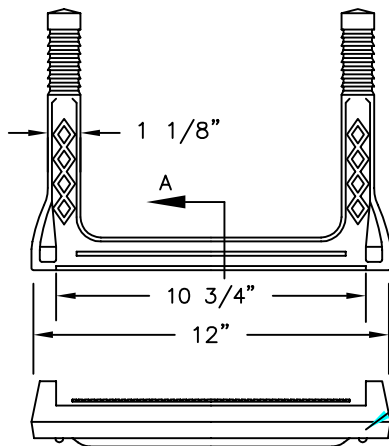
IVINS CITY
55 N. Main Street
Ivins, Utah 84738
435-634-0689
435-674-5486 (fax)



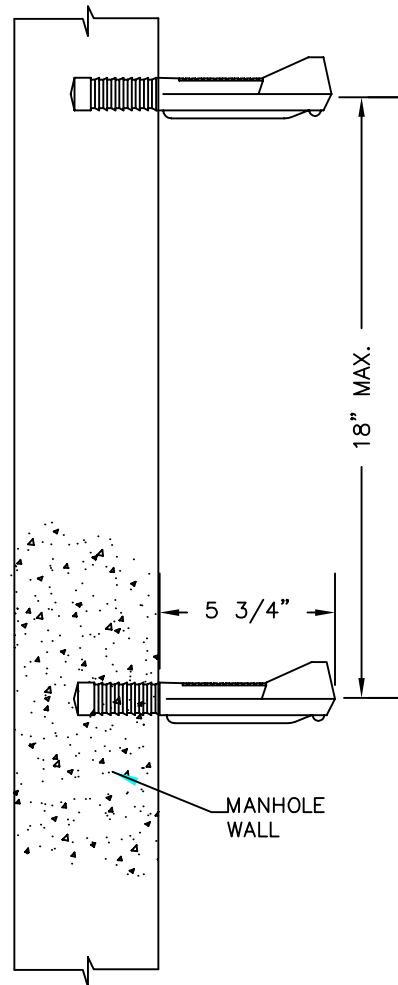
JUNCTION & DROP MANHOLE

Standard
Drawing
S-02

rev. 07-2010



COPOLYMER
POLYPROPYLENE
PLASTIC
1/2" GRADE 60
STEEL REINFORCEMENT



MANHOLE STEPS

NOTES:

1. INSTALL STEPS PER MANUFACTURERS RECOMMENDATIONS.
2. STEPS SHALL BE ALIGNED VERTICALLY.

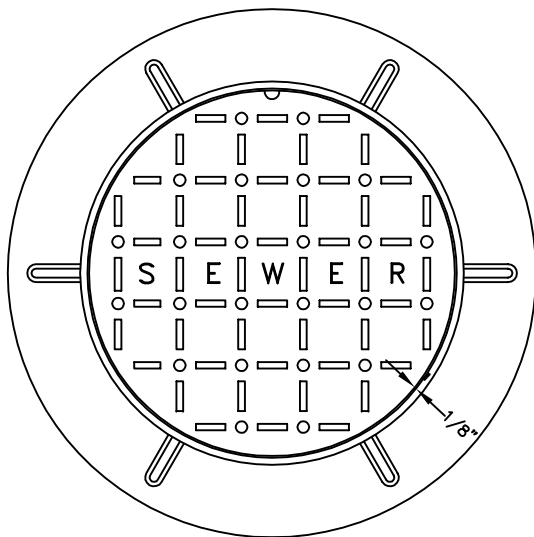
IVINS CITY
55 N. Main Street
Ivins, Utah 84738
435-634-0689
435-674-5486 (fax)



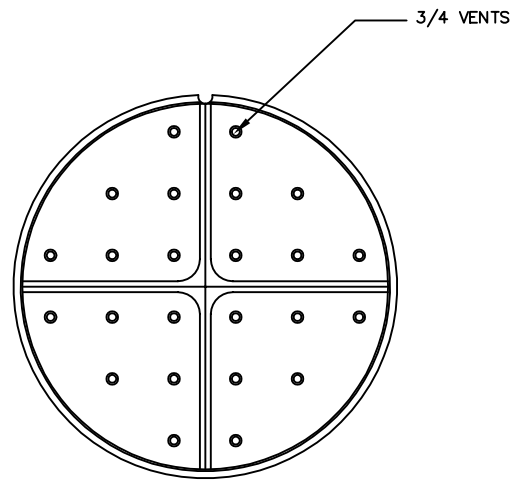
rev. 07-2010

MANHOLE STEP DETAIL

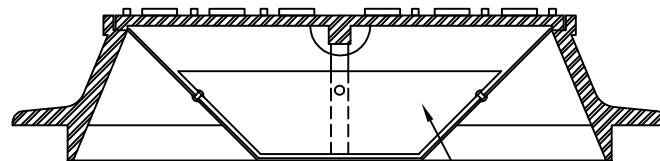
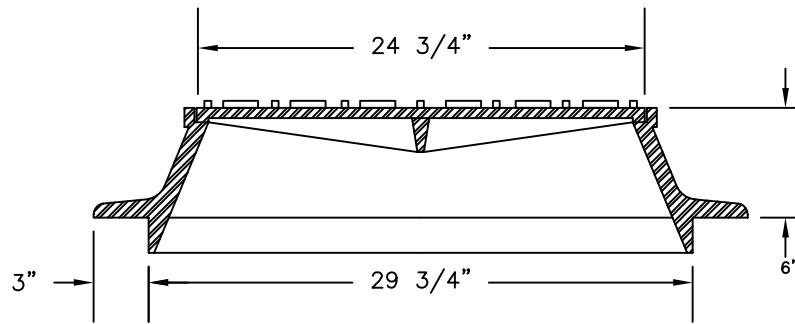
Standard
Drawing
S-03



PLAN OF COVER & RING



BOTTOM VIEW OF COVER



SECTIONS

DUST PAN
ALUMINUM OR GALVANIZED
(WHERE REQUIRED)

NOTES:

1. USE OF MANHOLE TO BE CLEARLY MARKED ON EACH LID (I.E. "SEWER", "STORM").
2. MUST MEET HS-20 LOADING.
3. A LOW PROFILE RING MAY NOT BE USED WHEN ADJUSTING TO GRADE IF A MANHOLE SECTION IS REMOVABLE.

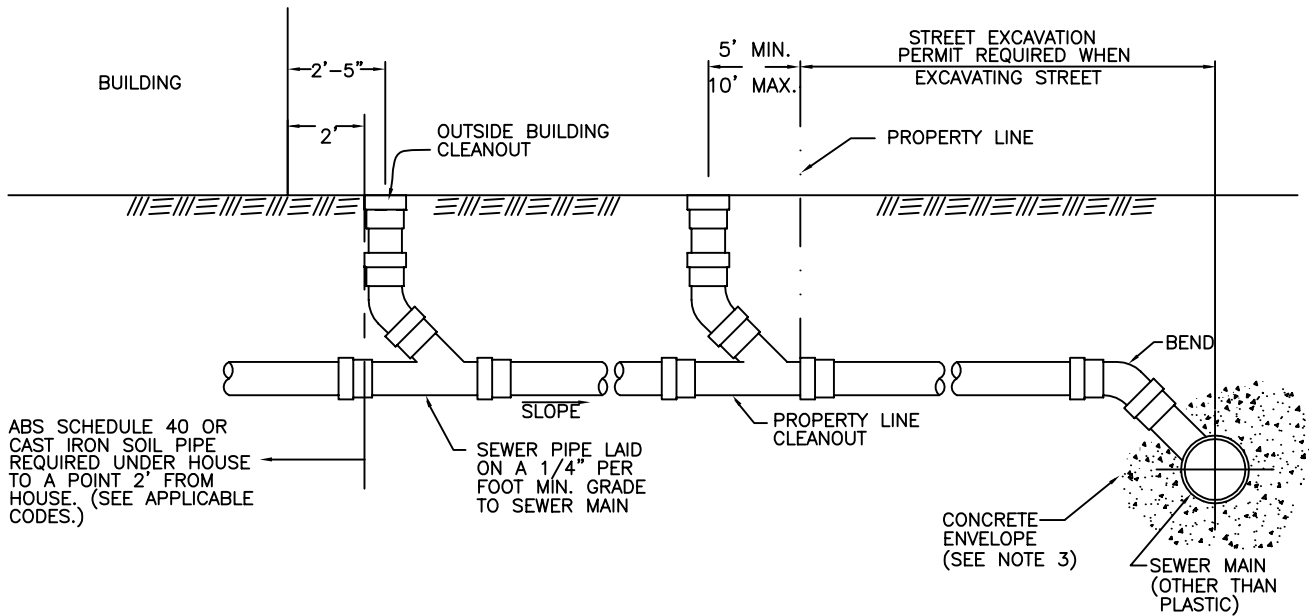
IVINS CITY
55 N. Main Street
Ivins, Utah 84738
435-634-0689
435-674-5486 (fax)



rev. 07-2010

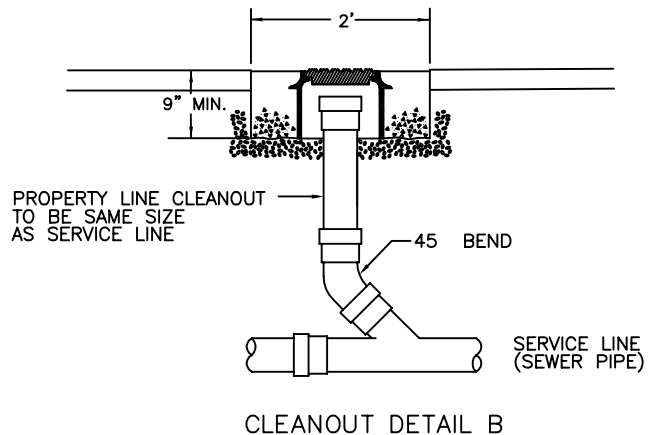
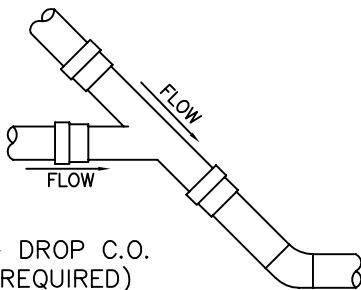
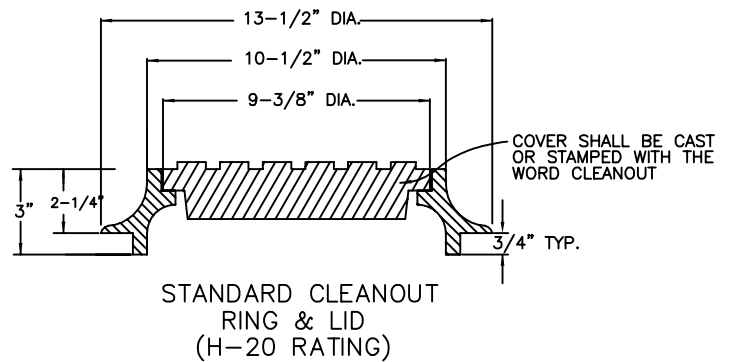
MANHOLE FRAME & COVER

Standard
Drawing
S-04



NOTES:

1. PROPERTY LINE AND OUTSIDE BUILDING CLEANOUTS ARE REQUIRED AS SHOWN.
2. CLEANOUT REQUIRED AT 100' MAX. SPACING (STRAIGHT RUNS) AND FOR EACH AGGREGATE CHANGE IN DIRECTION, WHERE TOTAL AGGREGATE CHANGE EXCEEDS 135'.
3. ALL LATERALS CUT INTO EXISTING MAINS SHALL BE ADAPTED WITH SADDLES. WHERE SADDLES ARE NOT WATER TIGHT, A CONCRETE ENVELOPE SHALL BE REQUIRED. LATERALS SHALL NOT PROTRUDE INTO SEWER MAINS.
4. ALL CLEANOUTS LOCATED IN DRIVEWAYS, WALKWAYS OR OTHER AREAS SUBJECT TO VEHICLE OR PEDESTRIAN TRAFFIC SHALL HAVE A CAST IRON RING AND COVER OR OTHER APPROVED PROTECTIVE DEVICE WITH CONCRETE COLLAR.
5. FOR COMMERCIAL APPLICATION CONTACT WASTE WATER DIVISION.

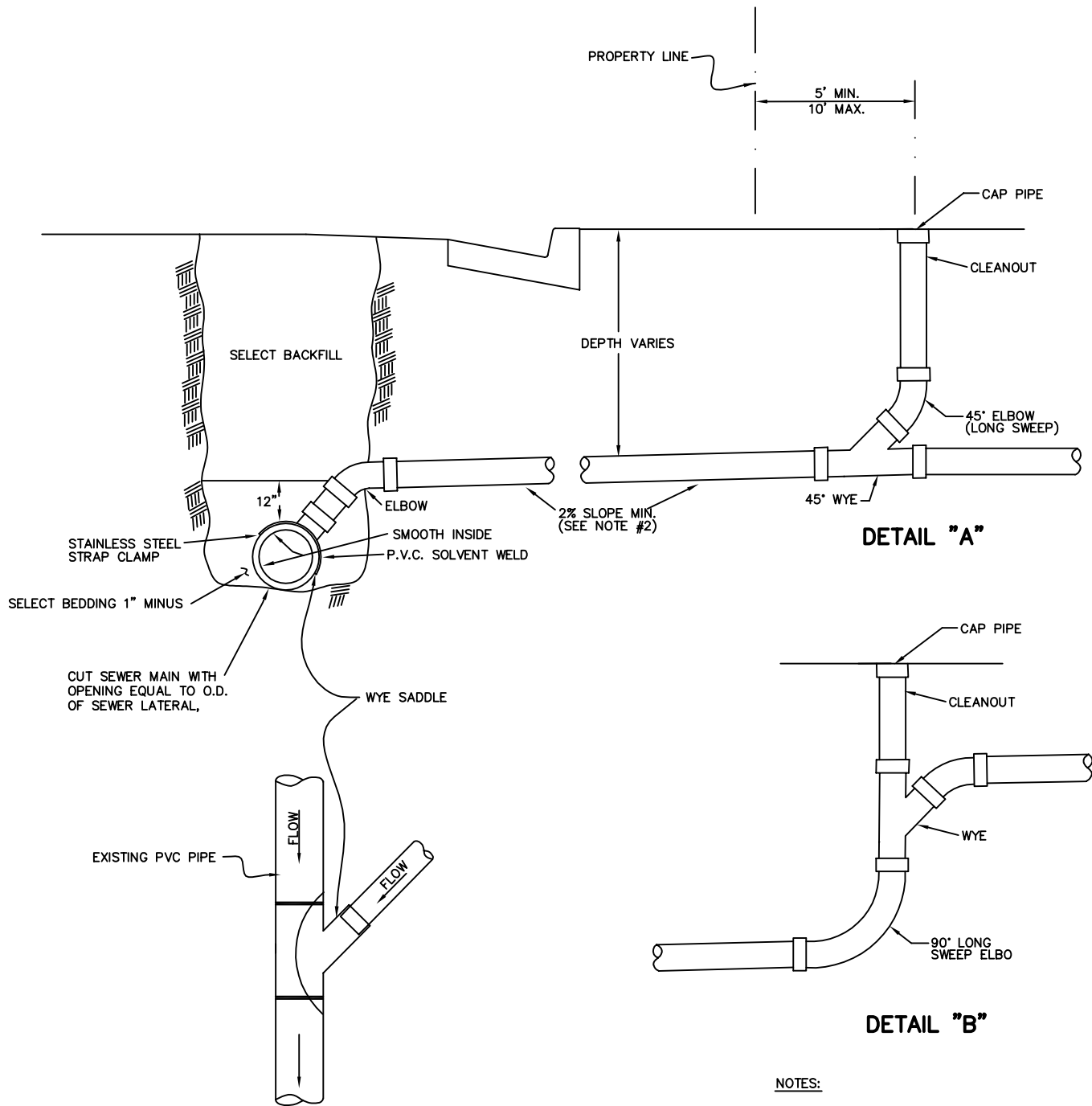


IVINS CITY
55 N. Main Street
Ivins, Utah 84738
435-634-0689
435-674-5486 (fax)



TYPICAL SEWER CONNECTION DETAILS

Standard
Drawing
S-05



NOTES:

1. BACKFILL AND COMPACTION REQUIREMENTS SHALL CONFORM TO CITY STANDARD SPECIFICATIONS.
2. 4" DIAMETER—2% MINIMUM.
6" DIAMETER— 1% MINIMUM.
3. CLEANOUT DIAMETER TO BE SAME SIZE AS LATERAL.
4. INSTALL WYE SADDLE PER MANUFACTURER'S RECOMMENDATIONS.
5. PIPE LAID WITH BELL ENDS UP—GRADE.

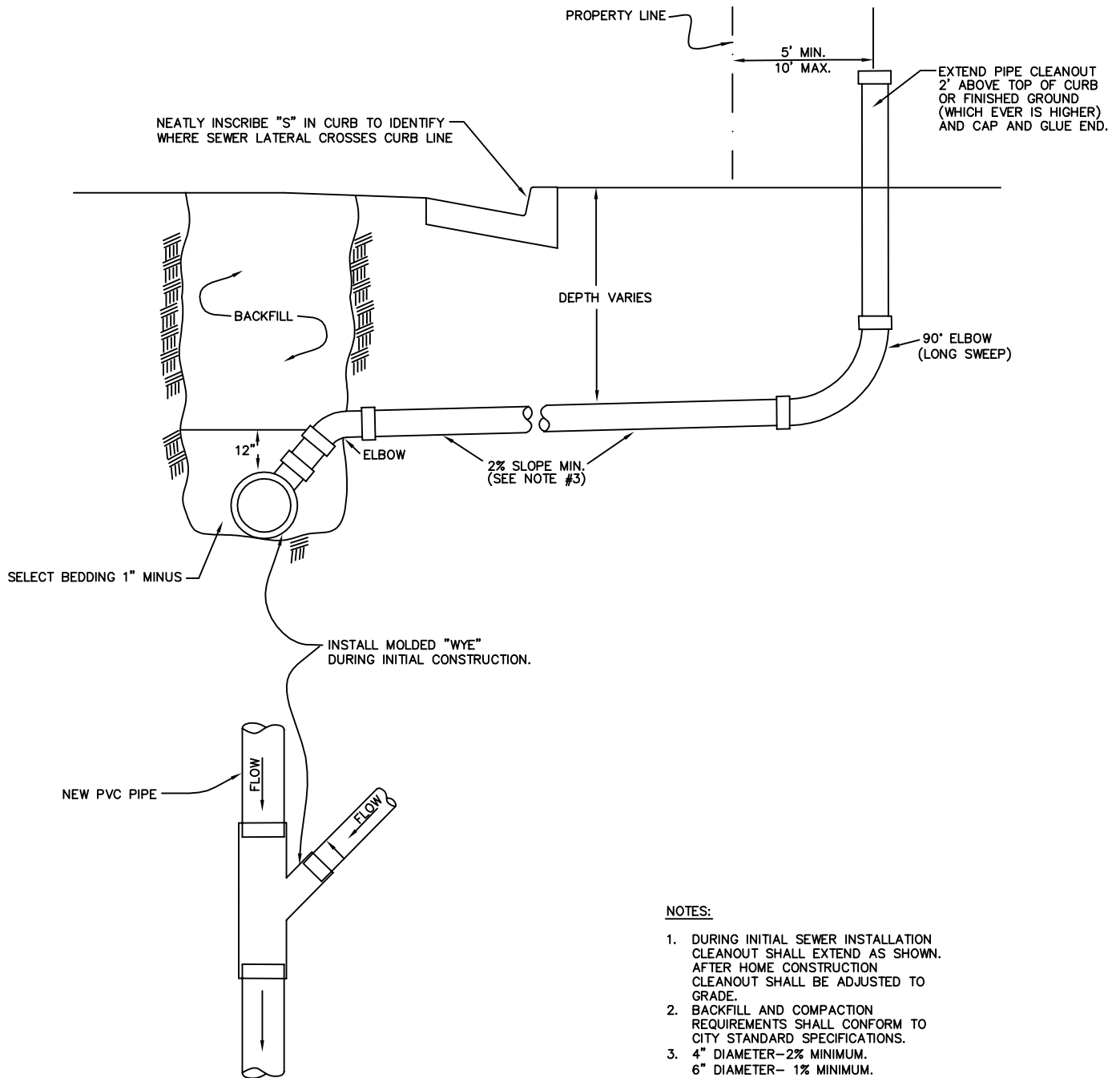
IVINS CITY
55 N. Main Street
Ivins, Utah 84738
435-634-0689
435-674-5486 (fax)



PVC SERVICE CONNECTION TO EXISTING PVC MAIN

Standard
Drawing
S-06

rev. 07-2010



NOTES:

1. DURING INITIAL SEWER INSTALLATION CLEANOUT SHALL EXTEND AS SHOWN. AFTER HOME CONSTRUCTION CLEANOUT SHALL BE ADJUSTED TO GRADE.
2. BACKFILL AND COMPACTION REQUIREMENTS SHALL CONFORM TO CITY STANDARD SPECIFICATIONS.
3. 4" DIAMETER-2% MINIMUM.
6" DIAMETER- 1% MINIMUM.
4. CLEANOUT DIAMETER TO BE SAME SIZE AS LATERAL.
5. BRASS PLUG MARKED WITH "S" PLACED IN TOP OF CURB MAY BE USED IN LIEU OF INSCRIBED "S" IN FACE.
6. PIPE LAID WITH BELL ENDS UP-GRADE.

IVINS CITY
 55 N. Main Street
 Ivins, Utah 84738
 435-634-0689
 435-674-5486 (fax)
 rev. 07-2010



PVC SERVICE CONNECTION TO NEW PVC SEWER MAIN

Standard Drawing
 S-07