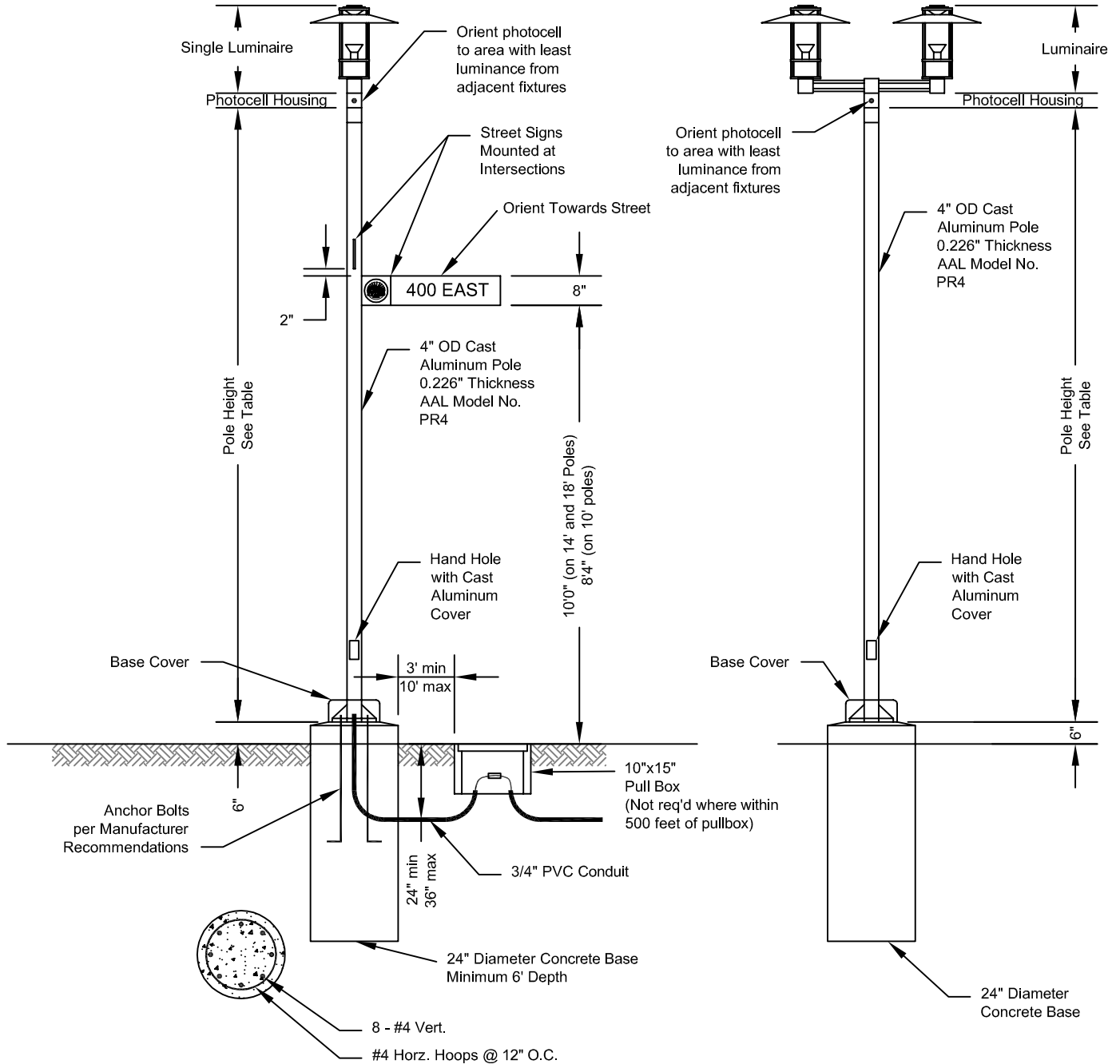


Pole Height Table

| Road | R/W | Pole Height | Luminaire |
|-----------------------|--------|-------------|-----------|
| Major Arterial | 100' | 18' | SP1 |
| Minor Arterial | 80/85' | 18' | SP1 |
| Major Collector | 66' | 14' | SP2 |
| Minor Collector | 60' | 14' | SP2 |
| Residential Collector | 55' | 14' | SP2 |
| Residential | 50' | 14' | SP2 |
| Residential Entrance | n/a | 14' | SP2 |

TWIN ARM MOUNT FOR LOCATIONS WITHIN MEDIANS



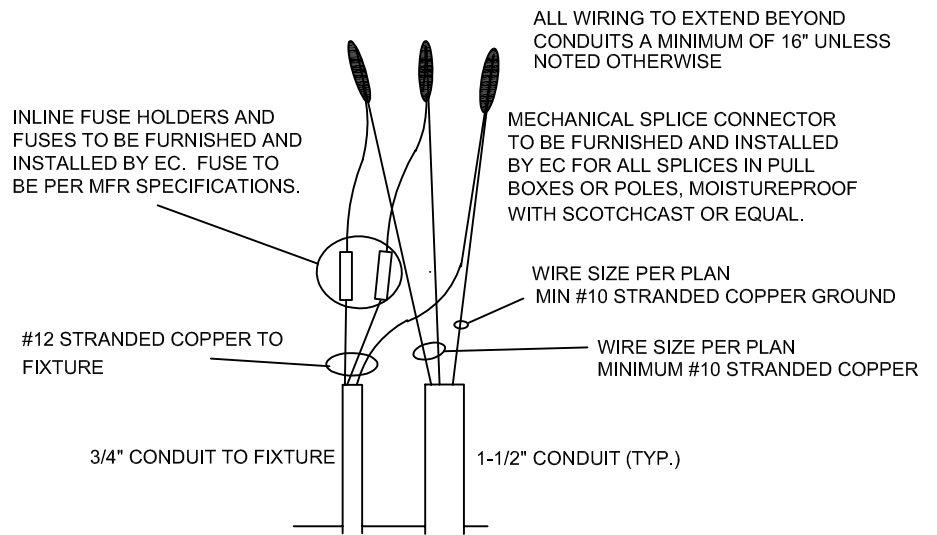
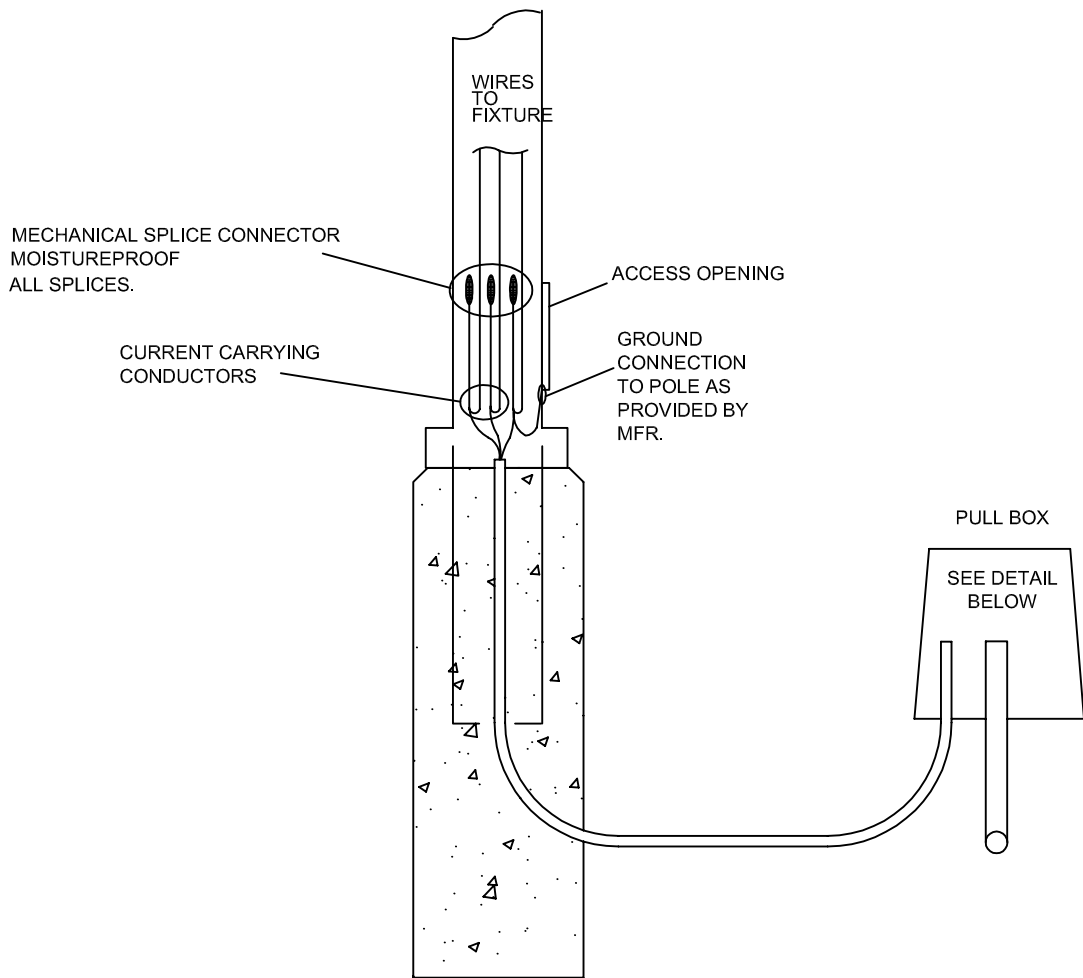
IVINS CITY
55 N. Main Street
Ivins, Utah 84738
435-634-0689
435-674-5486 (fax)



STREET LIGHTING

Standard
Drawing
L-01

rev. 07-2010



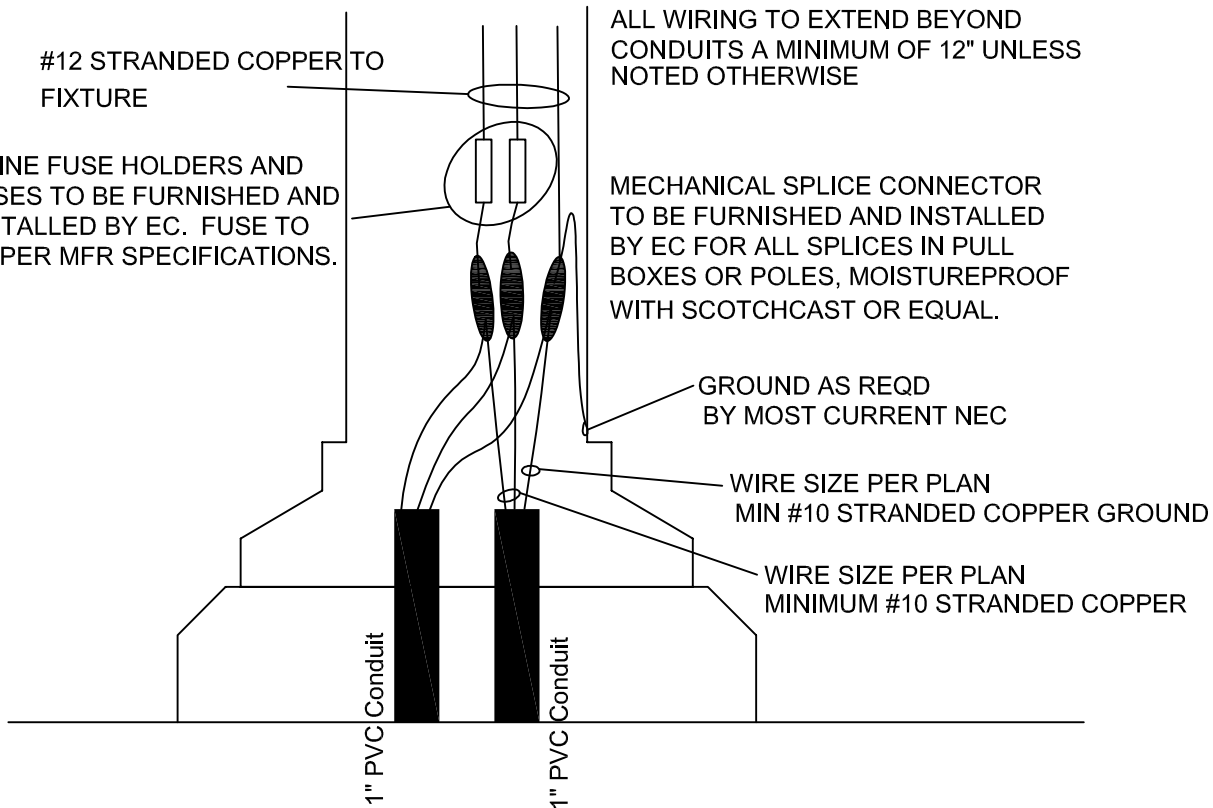
PULL BOX CONNECTION DETAIL

IVINS CITY
55 N. Main Street
Ivins, Utah 84738
435-634-0689
435-674-5486 (fax)

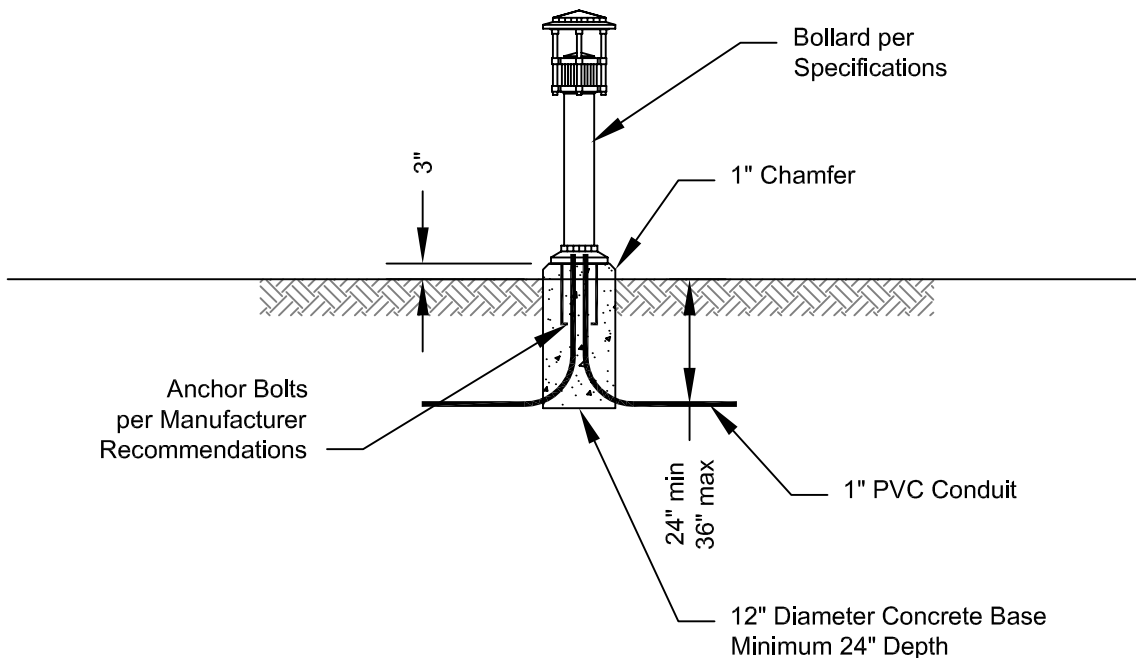


STREET LIGHT WIRING DETAIL

Standard
Drawing
L-02



CONNECTION DETAIL



BOLLARD DETAIL

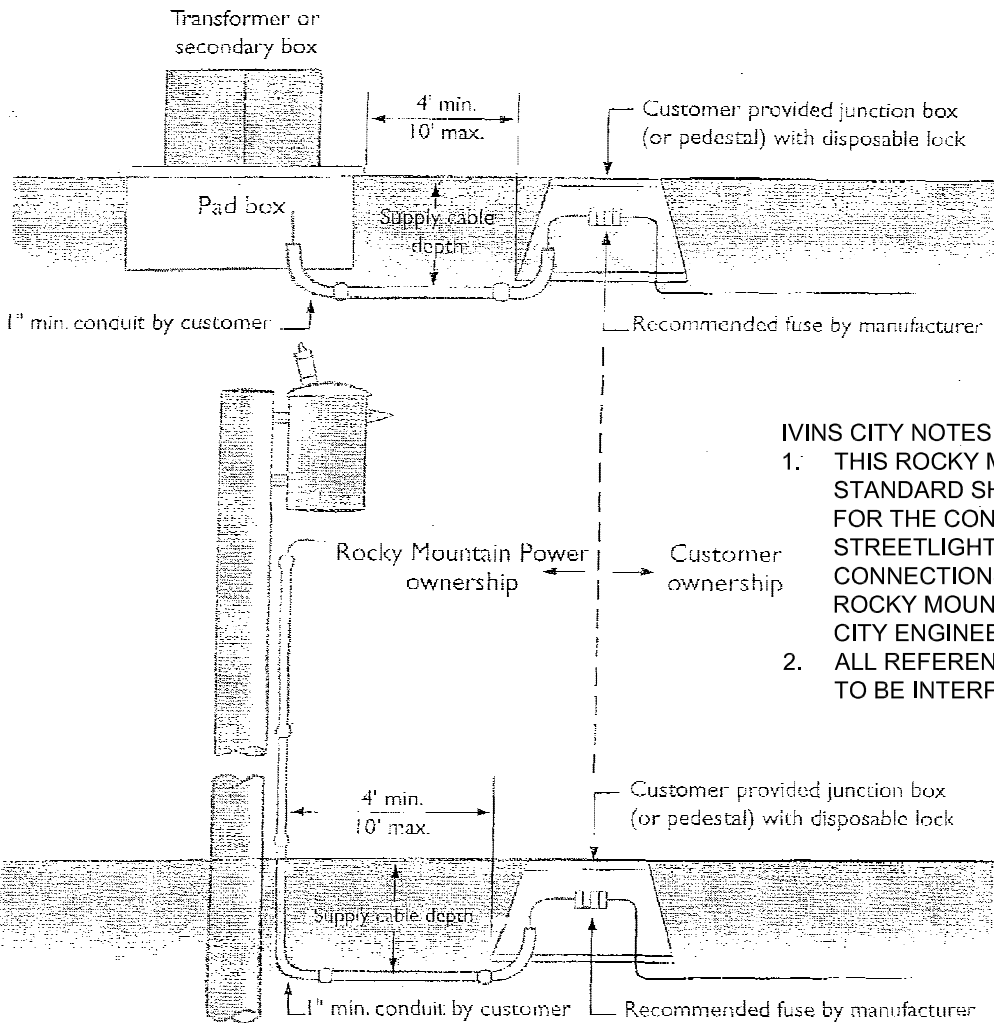
IVINS CITY
55 N. Main Street
Ivins, Utah 84738
435-634-0689
435-674-5486 (fax)



rev. 07-2010

Standard
Drawing
L-03

Streetlight Point-of-Disconnect Diagram



IVINS CITY NOTES:

1. THIS ROCKY MOUNTAIN POWER STANDARD SHALL BE THE STANDARD FOR THE CONNECTION OF ALL IVINS CITY STREETLIGHTS. ALTERNATIVE TYPES OF CONNECTIONS SHALL BE APPROVED BY ROCKY MOUNTAIN POWER AND IVINS CITY ENGINEER.
2. ALL REFERENCES TO "CUSTOMER" ARE TO BE INTERPRETED AS IVINS CITY.

Customer is responsible for:

- Providing and installing a junction box or pedestal, conduit, fusing and customer-owned wire. The junction box or pedestal must be strong enough for incidental traffic areas
- Coordinating with Rocky Mountain Power on junction box or pedestal location and all digging within the vicinity of Rocky Mountain Power facilities
- Ensuring that construction of new or remodeled installations conform to applicable provisions of the NEC State Rules, as well as city and county codes

Rocky Mountain Power is responsible for:

- Making the connection within Rocky Mountain Power facilities (transformer or secondary box)



IVINS CITY
55 N. Main Street
Ivins, Utah 84738
435-634-0689
435-674-5486 (fax)



STREET LIGHT CONNECTION TO ROCKY MOUNTAIN POWER

Standard
Drawing
L-04

rev. 07-2010